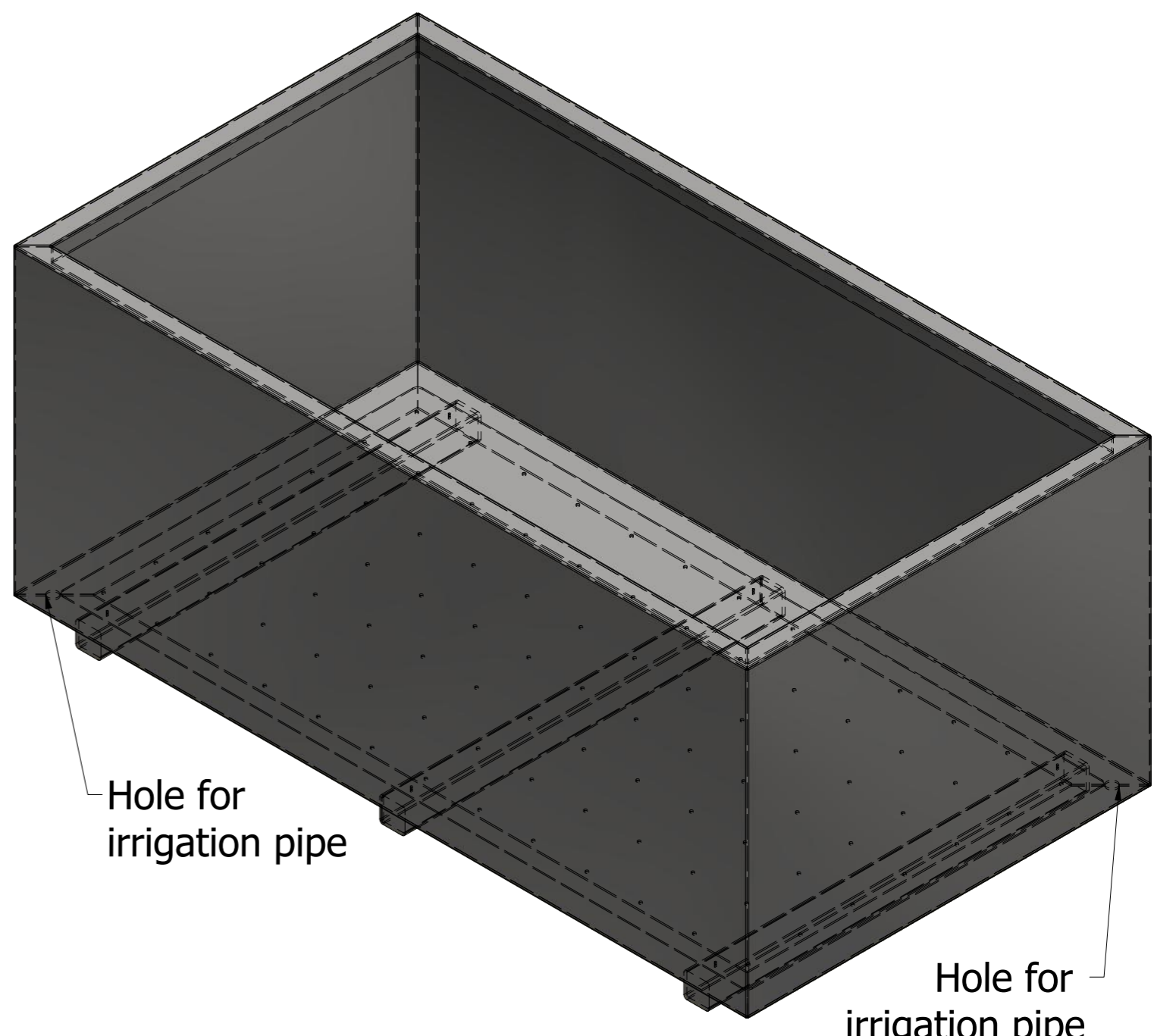
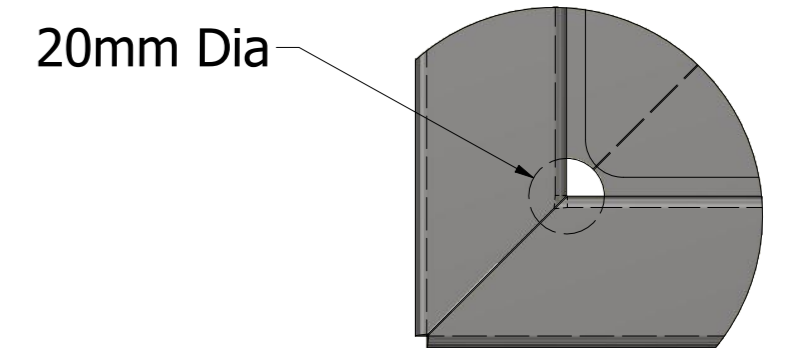
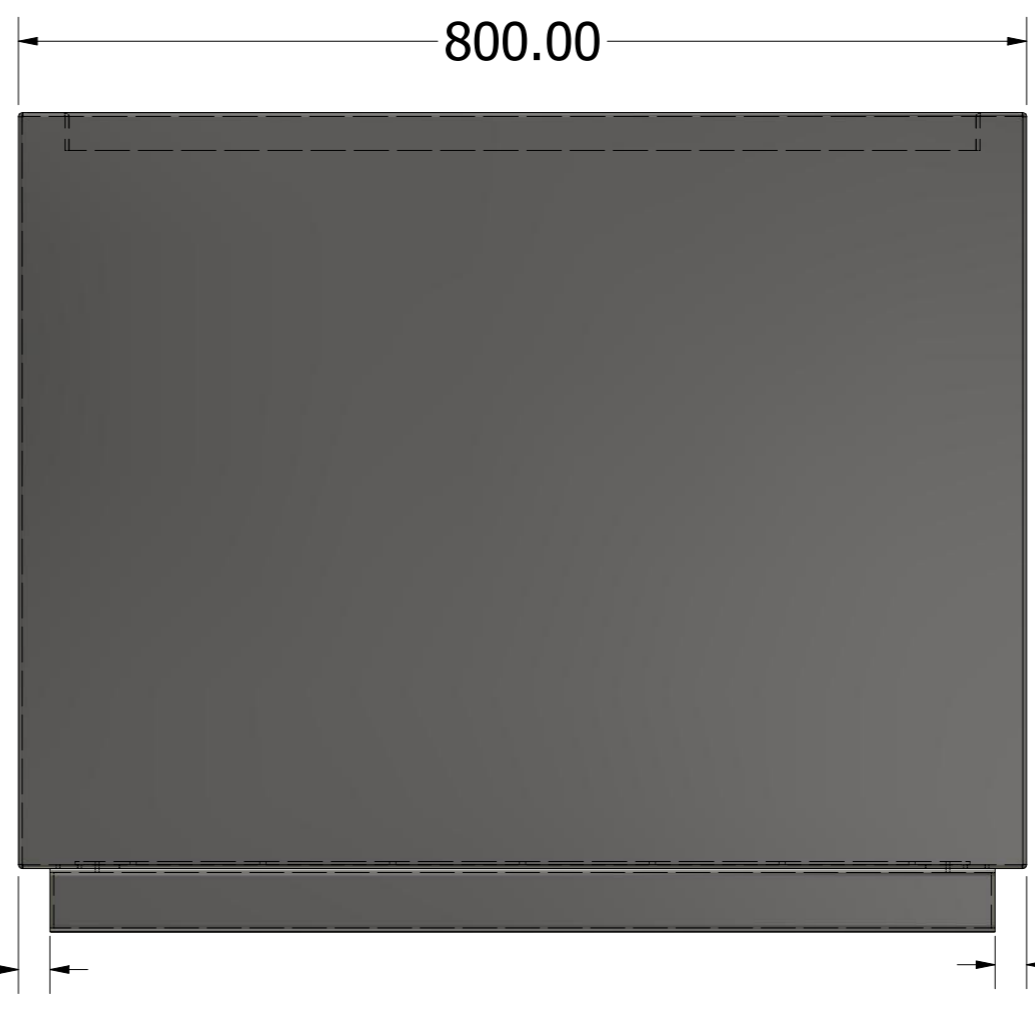
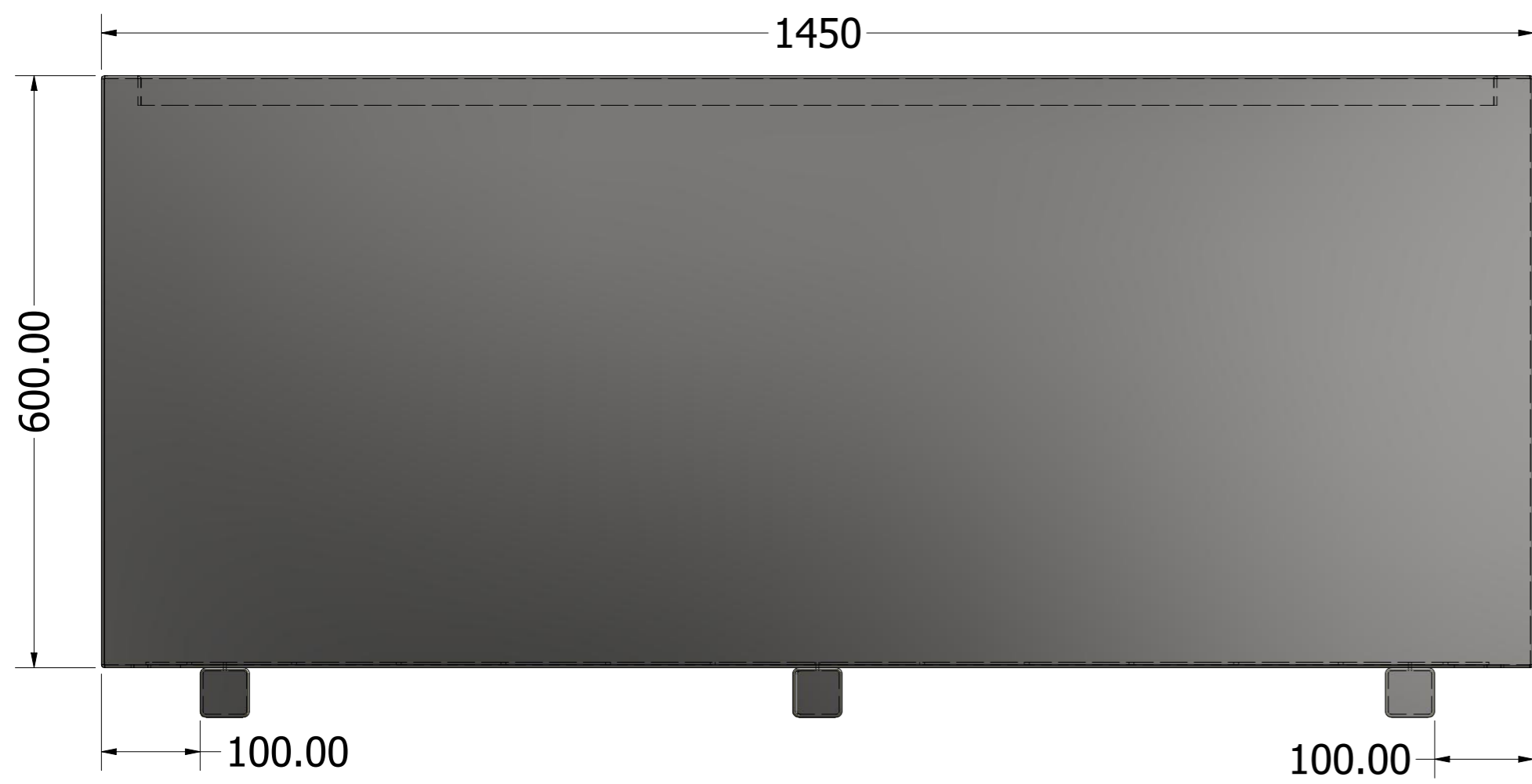


5mm drainage holes

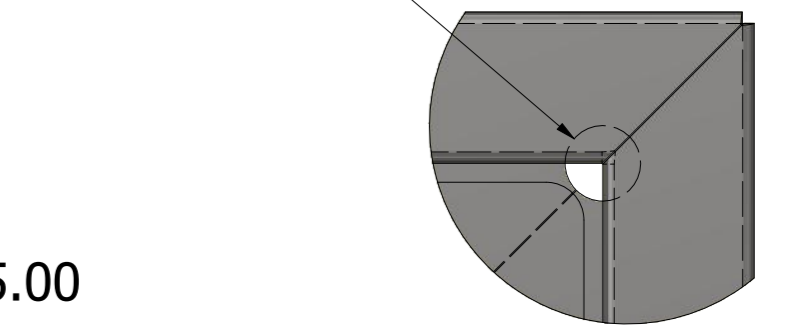


Hole for irrigation pipe

Hole for irrigation pipe



DETAIL A
SCALE 1 / 2



DETAIL B
SCALE 1 / 2

URBAN STREET DESIGNS LTD.
ST MARYS STREET, NELSON, BB9 7BA.
TEL: +44 (0)1282 507 656
EMAIL: sales@urbanstreetdesigns.co.uk
WEB PAGE: www.urbanstreetdesigns.co.uk



IF IN DOUBT ASK!

DRAWN BY: LizUSD		REPORT ALL ERRORS TO DRAWING OFFICE	
DATE: 25/04/2018			
SCALE: 1 / 6			
PAGE SIZE: A2	PAGE No: 1 / 1		
ALL DIMENSIONS ARE IN MILLIMETRES			

URBAN STREET DESIGNS LTD
2015 © Urban Street Designs Ltd All Rights Reserved.
USD. CONFIDENTIAL AND PROPRIETARY. ALL RIGHTS RESERVED. This document (and the information it contains) are the property of USD. By accepting it into your possession, you agree that you will keep this document, and all information contained herein, in strictest confidence, and will not copy, retransmit, use (except solely for the benefit of USD), sell, lend or otherwise dispose of, directly or indirectly, without the express written permission of USD, and this document will be returned to USD immediately upon request.

MATERIAL + SPEC:	3mm Zintec and 2.5mm Galv Liner
FINISH:	Powder-coated RAL 7024 Semi Gloss
DESCRIPTION/NOTES:	1450mm x 800mm x 600mm High

DRAWING NUMBER:	Star and Garter Planter	REV: A
PART NUMBER:	1450mm x 800mm x 600mm Planter	
CUSTOMER REF. DWG No:	1663 (90)SK813	