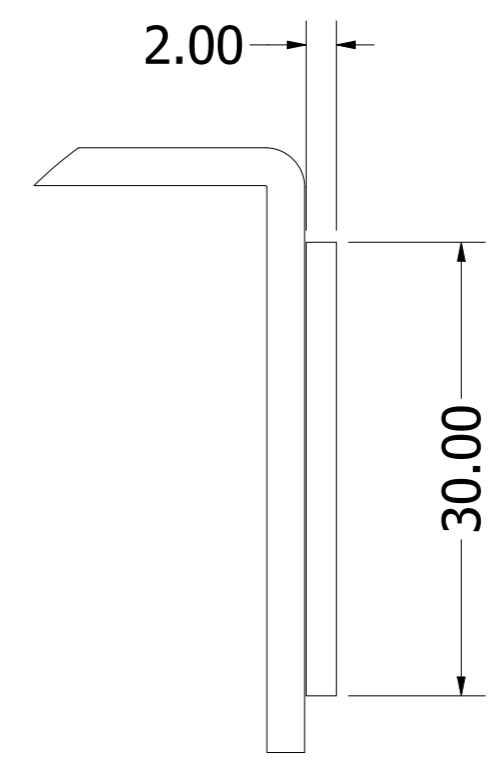
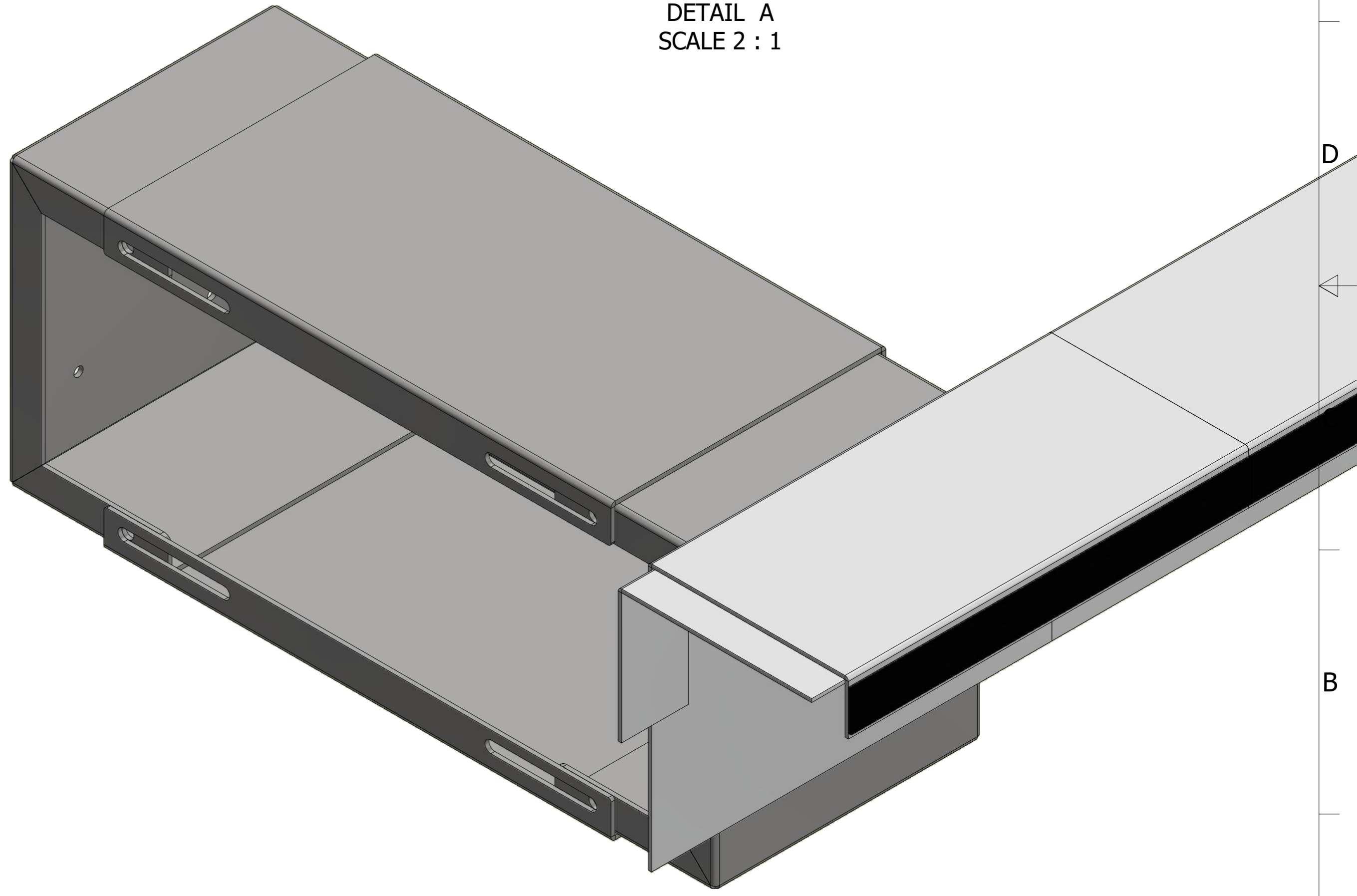


Neoprene



DETAIL A  
SCALE 2 : 1



URBAN STREET DESIGNS LTD.  
ST MARYS STREET, NELSON, BB9 7BA.  
TEL: +44 (0)1282 507 656  
EMAIL: sales@urbanstreetdesigns.co.uk  
WEB PAGE: www.urbanstreetdesigns.co.uk



IF IN DOUBT ASK!

DRAWN BY:	Liz
DATE:	14/06/2017
SCALE:	1 : 1
PAGE SIZE:	A2
PAGE No:	2 / 2

REPORT ALL ERRORS TO DRAWING OFFICE

3rd ANGLE PROJECTION

ALL DIMENSIONS ARE IN MILLIMETRES

**URBAN STREET DESIGNS LTD**

2015 © Urban Street Designs Ltd All Rights Reserved.  
USD. CONFIDENTIAL AND PROPRIETARY. ALL RIGHTS RESERVED. This document (and the information it contains) are the property of USD. By accepting it into your possession, you agree that you will keep this document, and all information contained herein, in strictest confidence, and will not copy, retransmit, use (except solely for the benefit of USD), sell, lend or otherwise dispose of, directly or indirectly, without the express written permission of USD, and this document will be returned to USD immediately upon request.

MATERIAL + SPEC:	2.5mm Zintec
FINISH:	Powder-coated
DESCRIPTION/NOTES:	

DRAWING NUMBER:	Fascia Profile	REV:	
PART NUMBER:	Fascia Adjustment		
CUSTOMER REF. DWG No:			