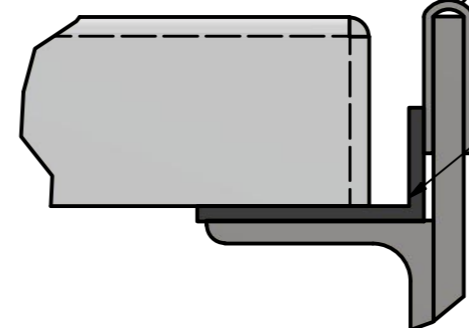


DETAIL A  
SCALE 1 / 4

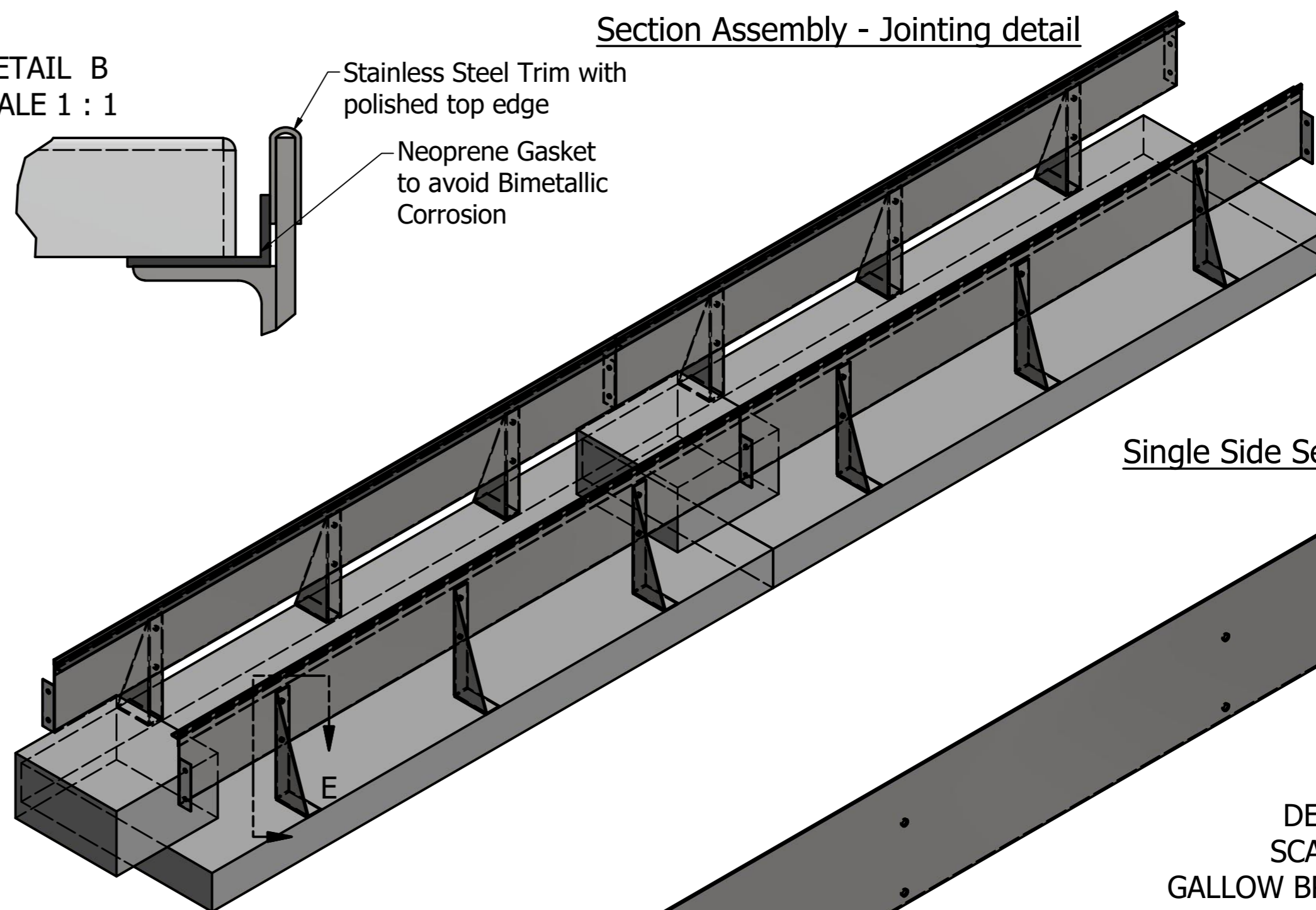
Concrete

DETAIL B  
SCALE 1 : 1



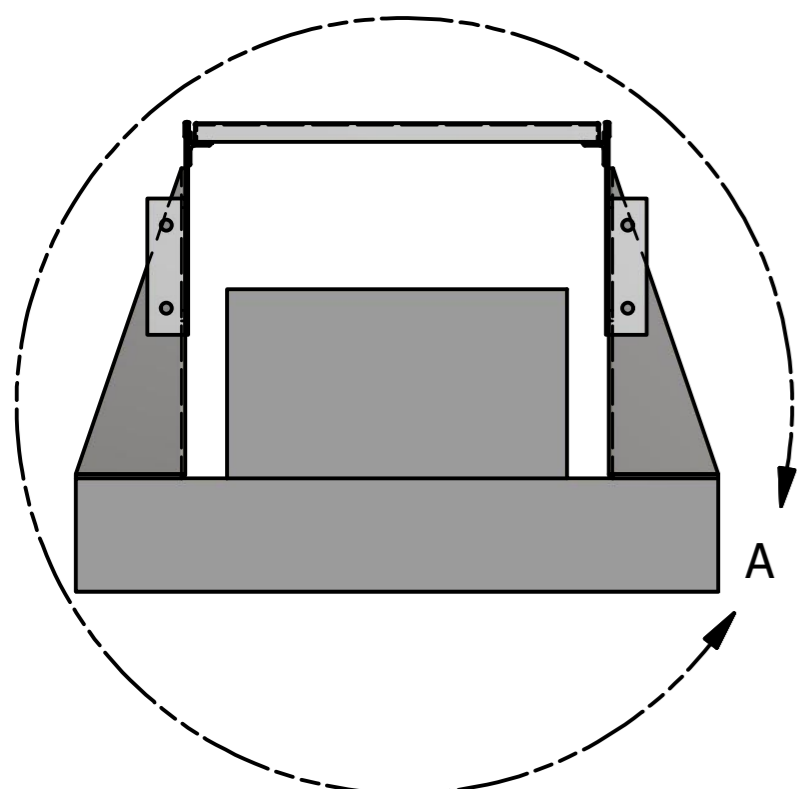
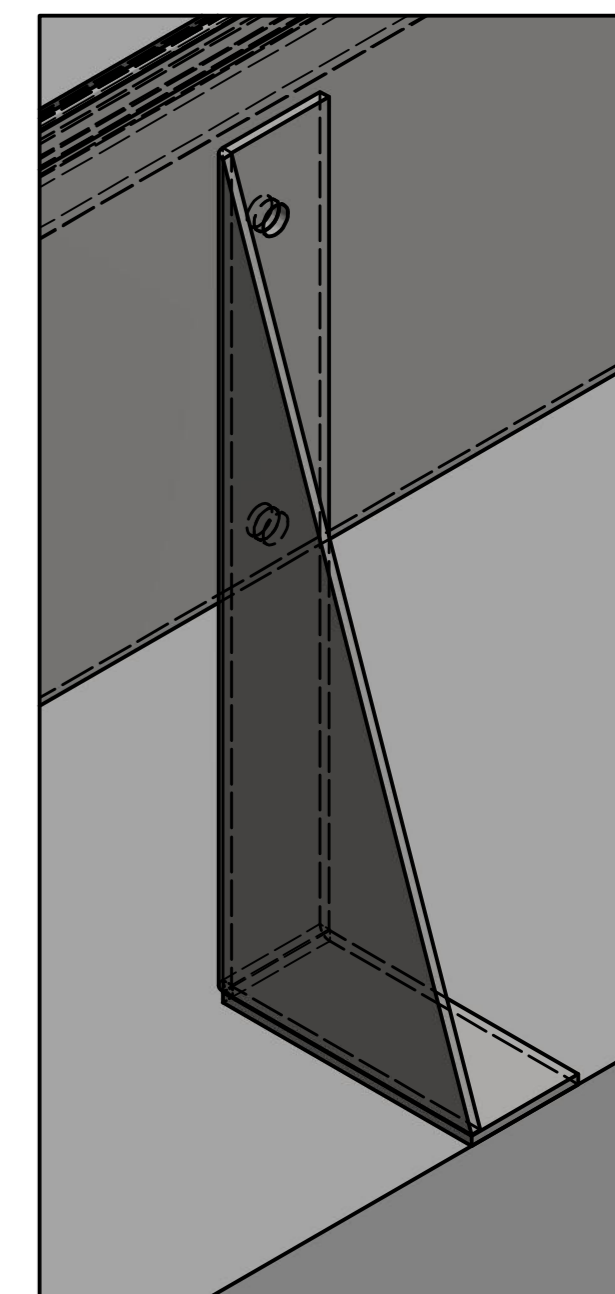
Stainless Steel Trim with  
polished top edge  
Neoprene Gasket  
to avoid Bimetallic  
Corrosion

Section Assembly - Jointing detail

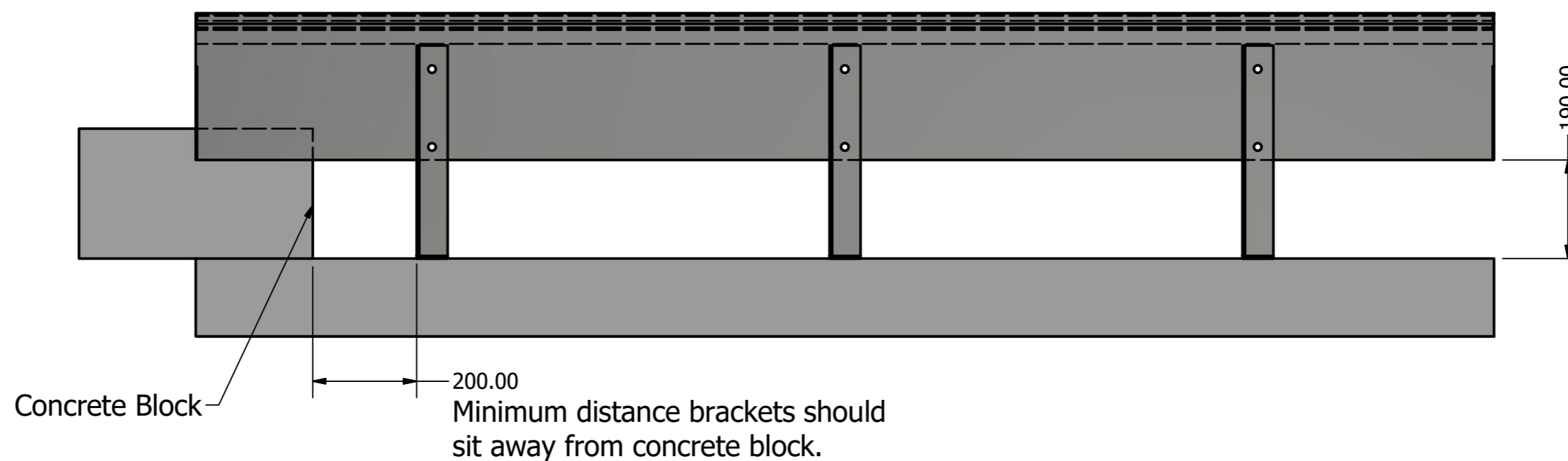


Single Side Section Detail

DETAIL E  
SCALE 1 / 3  
GALLOW BRACKET



Single Section - BMU Cover



Concrete Block

200.00  
Minimum distance brackets should  
sit away from concrete block.